

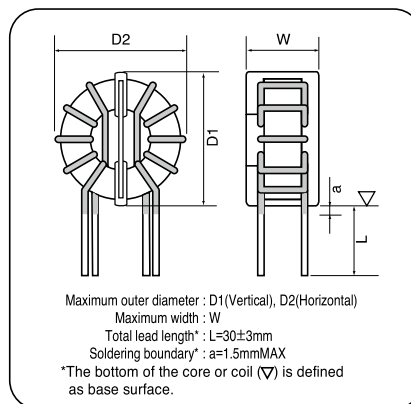
Standard type for single phase

◆ MAJOR USES

- Signal power line noise control
- DC power line noise control
- AC power line noise control

◆ FEATURES

- The high permeability core is made of nano-crystal
- High impedance in spite of a small number of turns
- Excellent temperature characteristics
- Conforming to insulating type B and incombustibility UL94V-0



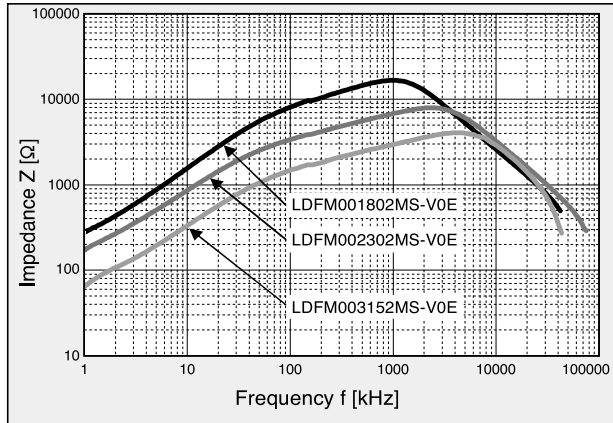
◆ COIL STANDARD SPECIFICATIONS

Coil Part No. (Old Coil Part No.)	Core Part No. (Old Core Part No.)	Rated Current A	Inductance		D.C.R. mΩ (max)	Winding mmφ×lines-turns	Outside Dimensions		
			10kHz (Typical) mH	100kHz (Rating) mH			D1 mm	D2 mm	W mm
LDFM001802MS-V0E (FM01393MSPBF)	LRF110705M (F110705M)	1	28.0	8.0	200	0.35×1P-36T	15.0	16.0	11.9
LDFM002302MS-V0E (FM02173MSPBF)	LRF110705M (F110705M)	2	11.6	3.0	85	0.45×1P-23T	15.0	16.0	11.9
LDFM003152MS-V0E (FM03872MSPBF)	LRF110705M (F110705M)	3	5.6	1.5	45	0.55×1P-16T	15.0	16.0	11.9
LDFM003552M5-V0E (FM03552M5PBF)	LRF211205M (F211205M)	3	22.0	5.5	56	0.7 ×1P-28T	28.0	29.0	15.0
LDFM003153M6-V0E (FM03153M6PBF)	LRF221310M (F221310M)	3	60.0	15.0	82	0.7 ×1P-34T	29.0	30.5	20.5
LDFM005132M5-V0E (FM05132M5PBF)	LRF211205M (F211205M)	5	5.4	1.3	16	1.0 ×1P-14T	29.0	30.0	15.0
LDFM005332M6-V0E (FM05332M6PBF)	LRF221310M (F221310M)	5	13.0	3.3	21	1.0 ×1P-16T	29.0	30.5	20.0
LDFM005302MT-V0E (FM05302MTPBF)	LRF281510M (F281510M)	5	13.0	3.0	17	1.1 ×1P-15T	34.0	36.0	20.0
LDFM005502MT-V0E (FM05502MTPBF)	LRF281510M (F281510M)	5	23.0	5.0	23	1.1 ×1P-20T	34.5	36.5	20.5
LDFM005103MR-V0E (FM05103MRPBF)	LRF322015M (F322015M)	5	39.0	10.0	33	1.1 ×1P-26T	39.0	41.0	25.5
LDFM008451M5-V0E (FM08451M5PBF)	LRF211205M (F211205M)	8	1.8	0.45	6.5	1.3 ×1P- 8T	29.5	31.0	15.0
LDFM008102M6-V0E (FM08102M6PBF)	LRF221310M (F221310M)	8	4.2	1.0	9	1.3 ×1P- 9T	29.5	31.5	20.5
LDFM010102MT-V0E (FM10102MTPBF)	LRF281510M (F281510M)	10	5.8	1.0	8	1.5 ×1P-10T	34.0	38.0	22.0
LDFM010302MT-V0E (FM10302MTPBF)	LRF281510M (F281510M)	10	13.0	3.0	11	1.4 ×1P-15T	36.0	38.0	22.0
LDFM010502MR-V0E (FM10502MRPBF)	LRF322015M (F322015M)	10	24.0	5.0	15	1.5 ×1P-19T	40.0	43.0	27.0
LDFM010103MJ-V0E (FM10103MJPBF)	LRF372315M (F372315M)	10	46.5	10.0	20	1.5 ×1P-26T	46.5	47.5	27.5
LDFM015102MT-V0E (FM15102MTPBF)	LRF281510M (F281510M)	15	3.7	1.0	6	1.6 ×1P- 8T	34.5	38.0	20.5
LDFM015302MR-V0E (FM15302MRPBF)	LRF322015M (F322015M)	15	15.0	3.0	10	1.8 ×1P-15T	40.0	42.5	29.0
LDFM015502MJ-V0E (FM15502MJPBF)	LRF372315M (F372315M)	15	24.8	5.0	11	1.8 ×1P-19T	47.0	49.0	28.0
LDFM020102MR-V0E (FM20102MRPBF)	LRF322015M (F322015M)	20	4.2	1.0	5	1.5 ×2P- 8T	42.5	43.0	28.0
LDFM020302MJ-V0E (FM20302MJPBF)	LRF372315M (F372315M)	20	13.5	3.0	7	1.5 ×2P-14T	46.5	48.0	30.0
LDFM025252MJ-V0E (FM25252MJPBF)	LRF372315M (F372315M)	25	11.6	2.5	5	1.6 ×2P-13T	47.0	49.0	31.0
LDFM030102MR-V0E (FM30102MRPBF)	LRF322015M (F322015M)	30	4.2	1.0	5	1.7 ×2P- 8T	39.5	44.0	29.5
LDFM030202MJ-V0E (FM30202MJPBF)	LRF372315M (F372315M)	30	9.9	2.0	6	1.7 ×2P-12T	47.0	48.5	31.0

There is a horizontal putting type in all items in the above list.
"V" changes into "H" in last the third digit of the name of items.

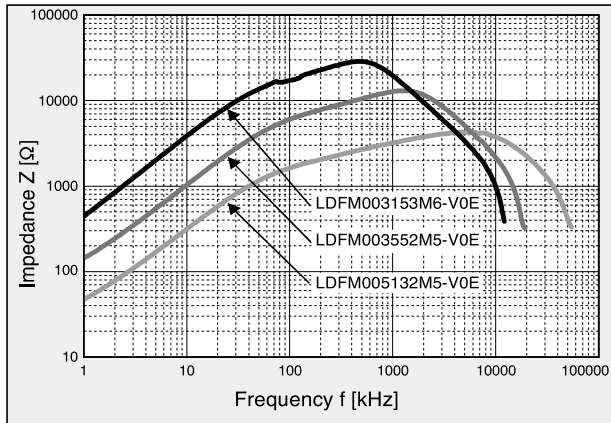
◆ FREQUENCY - IMPEDANCE CHARACTERISTICS (1)

● Rated Current: 1, 2, 3 [A]



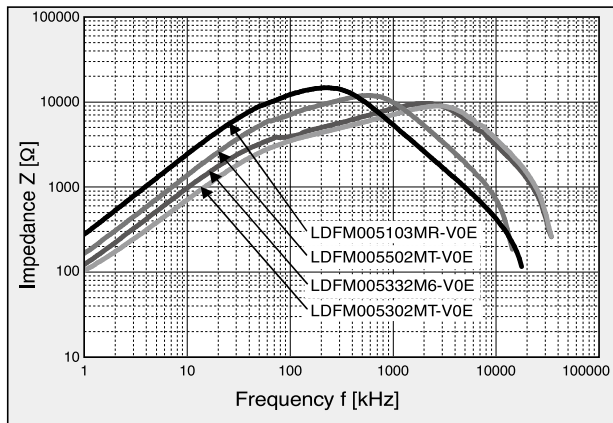
◆ FREQUENCY - IMPEDANCE CHARACTERISTICS (2)

● Rated Current: 3, 5 [A]



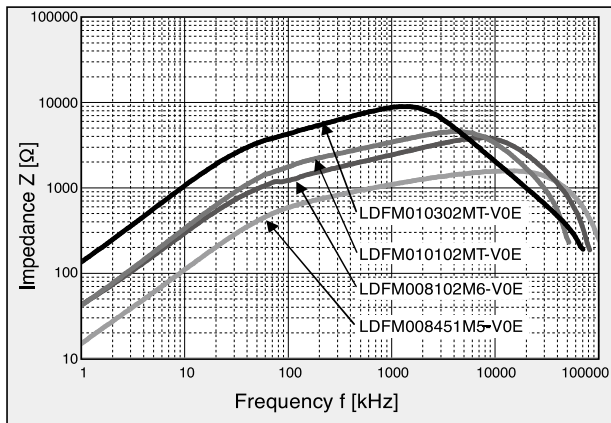
◆ FREQUENCY - IMPEDANCE CHARACTERISTICS (3)

● Rated Current: 5 [A]



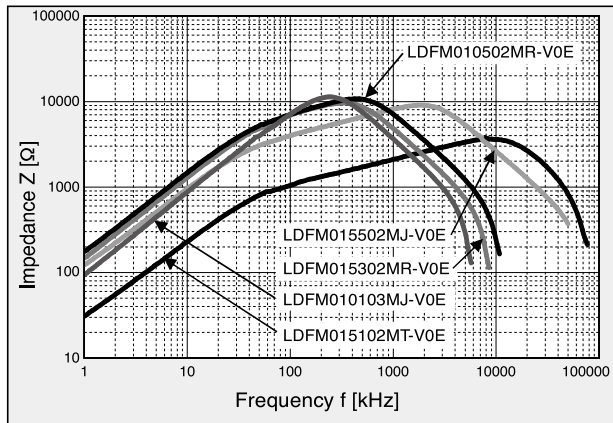
◆ FREQUENCY - IMPEDANCE CHARACTERISTICS (4)

● Rated Current: 8, 10 [A]



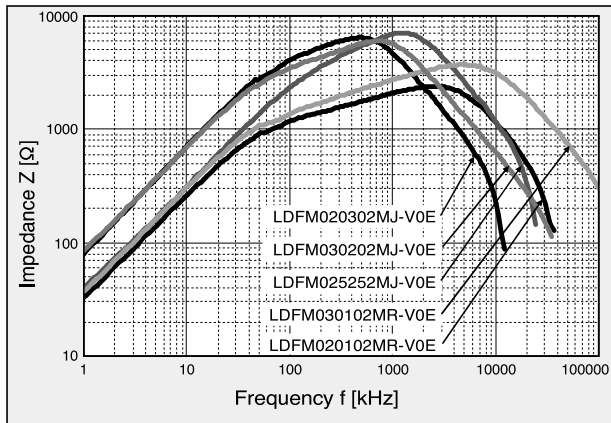
◆ FREQUENCY - IMPEDANCE CHARACTERISTICS (5)

● Rated Current: 10, 15 [A]



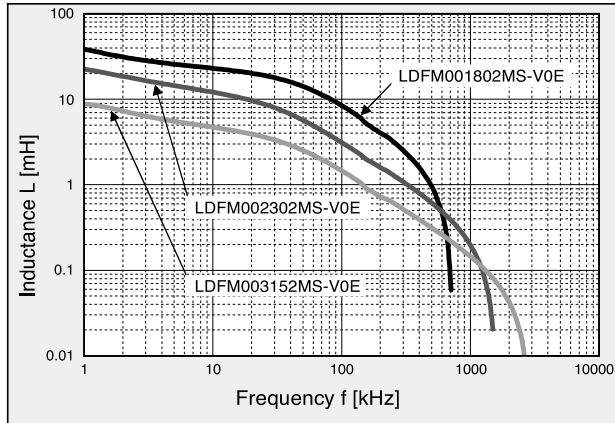
◆ FREQUENCY - IMPEDANCE CHARACTERISTICS (6)

● Rated Current: 20, 25, 30 [A]



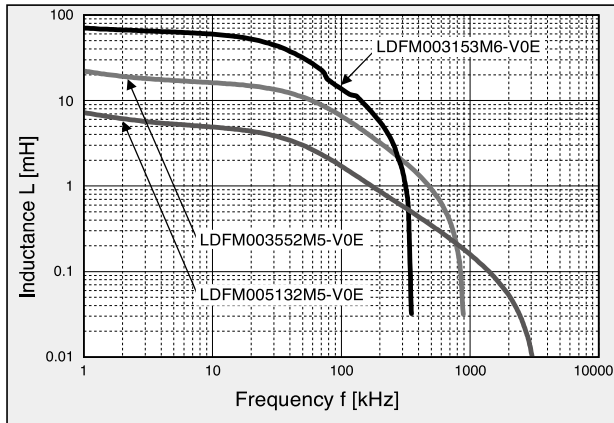
◆ FREQUENCY - INDUCTANCE CHARACTERISTICS (1)

● Rated Current: 1, 2, 3 [A]



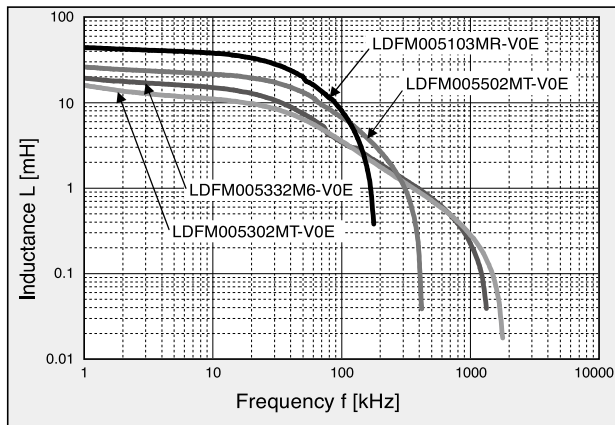
◆ FREQUENCY - INDUCTANCE CHARACTERISTICS (2)

● Rated Current: 3, 5 [A]



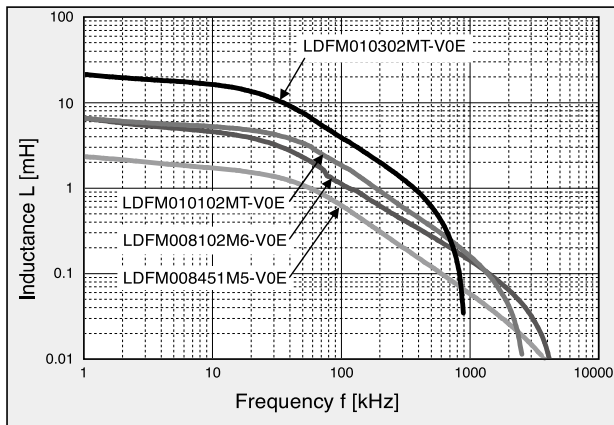
◆ FREQUENCY - INDUCTANCE CHARACTERISTICS (3)

● Rated Current: 5 [A]



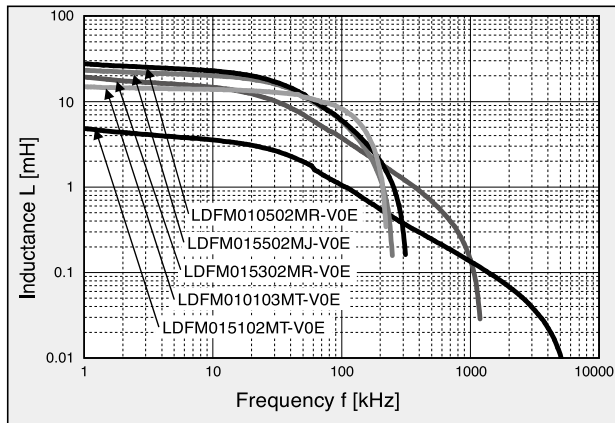
◆ FREQUENCY - INDUCTANCE CHARACTERISTICS (4)

● Rated Current: 8, 10 [A]



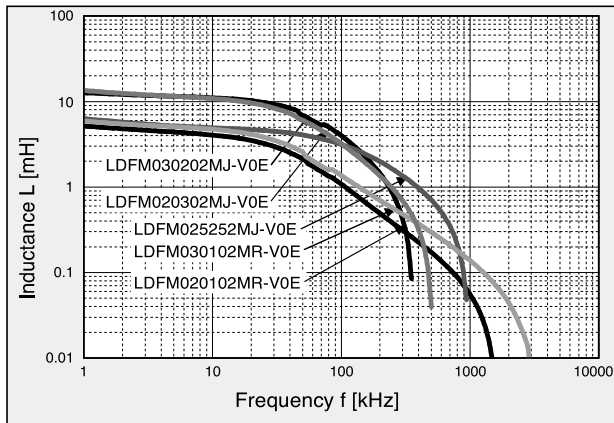
◆ FREQUENCY - INDUCTANCE CHARACTERISTICS (5)

● Rated Current: 10, 15 [A]



◆ FREQUENCY - INDUCTANCE CHARACTERISTICS (6)

● Rated Current: 20, 25, 30 [A]



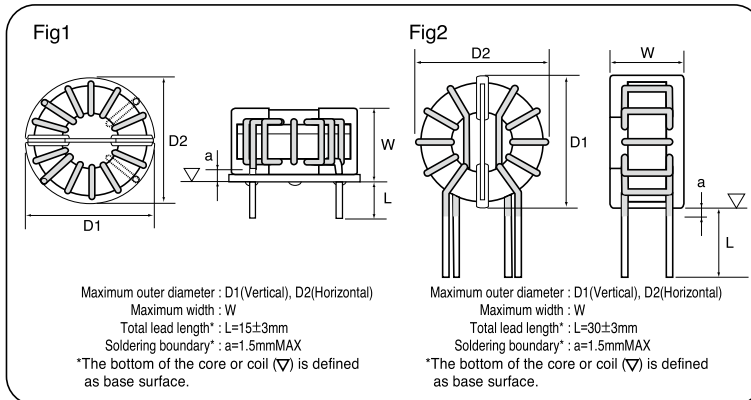
High voltage type for single phase

◆ MAJOR USES

- Common mode coils for noise filter in inverter or large capacity power supply

◆ FEATURES

- Applicable to input voltage (700V)
- Remarkably miniaturized in profile benefited by high permeability core
- High inductance in spite of a small number of turns
- Low temperature rise and low D.C. resistance
- Stable frequency performance of noise suppression in wide frequency range
- Excellent temperature characteristics

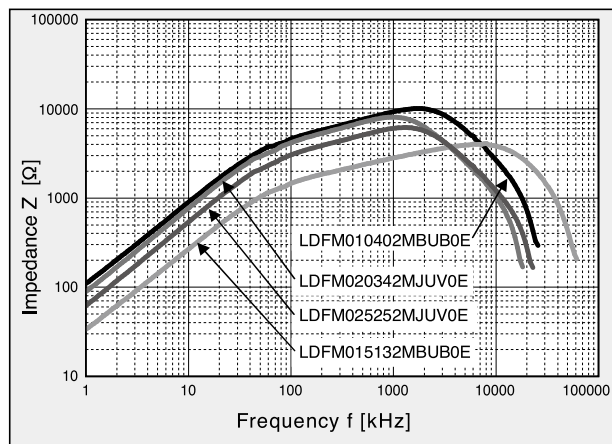


◆ COIL STANDARD SPECIFICATIONS

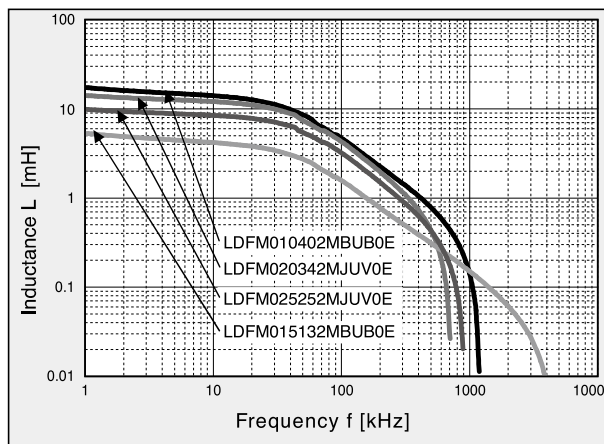
Coil Part No. (Old Coil Part No.)	Core Part No. (Old Core Part No.)	Rated Current A	Inductance		D.C.R. mΩ (max)	Winding mmφ×lines-turns	Outside Dimensions			
			10kHz	100kHz			D1 mm	D2 mm	W mm	Dimensions
			Typical mH	Rating mH						
LDFM010402MBUB0E (FM10402MBUBPBF)	LRF281815MU (F281815MU)	10	16.0	4.0	12	1.5×1P-16T	42.0	42.0	32.0	Fig1
LDFM015132MBUB0E (FM15132MBUBPBF)	LRF281815MU (F281815MU)	15	5.1	1.3	6	1.9×1P- 9T	42.0	42.0	32.5	Fig1
LDFM020342MJUV0E (FM20342MJUPBF)	LRF372315MU (F372315MU)	20	13.5	3.4	8	1.4×2P-14T	49.0	49.0	31.0	Fig2
LDFM025252MJUV0E (FM25252MJUPBF)	LRF372315MU (F372315MU)	25	9.9	2.5	6	1.6×2P-12T	50.0	50.0	32.0	Fig2

LDFM010402MBPB0E, LDFM015132MBPB0E listed in the above table are coils of lying type with pedestal.
For LDFM020342MJVP0E, LDFM025252MJVP0E, lying type is also available. "V" changes into "H" in last the third digit of the name of items.

◆ FREQUENCY - IMPEDANCE CHARACTERISTICS



◆ FREQUENCY - INDUCTANCE CHARACTERISTICS



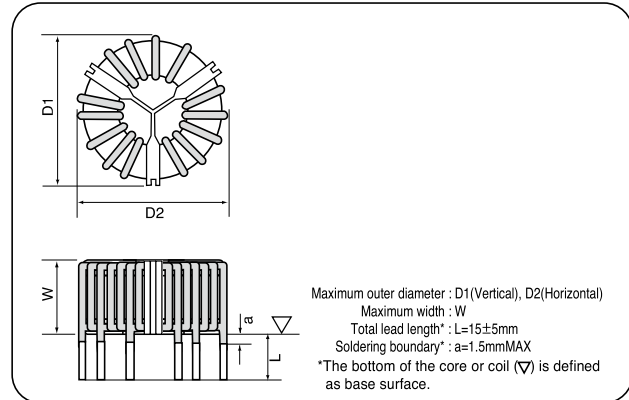
For three-phase circuit

◆ MAJOR USES

- Common mode coils for noise filter in inverter or large capacity power supply

◆ FEATURES

- Small profile, light through adoption of high permeability core
- High inductance in spite of a small number of turns
- Low temperature rise and, low D.C. resistance
- Stable frequency performance of noise suppression in wide frequency range
- Excellent temperature characteristics
- Conforming to insulating type B and incombustibility UL94V-0



◆ COIL STANDARD SPECIFICATIONS

Coil Part No. (Old Coil Part No.)	Core Part No. (Old Core Part No.)	Rated Current A	Inductance		D.C.R. mΩ (max)	Winding mmφ×lines	Outside Dimensions		
			10kHz	100kHz			D1 mm	D2 mm	W mm
			Typical mH	Rating mH					
LDFM015802MGQH0E (FM15802MGQPBF)	LRF503415MQ (F503415MQ)	15	30.0	8.0	15	2.0×1P	65.0	65.0	35.0
LDFM020402MGQH0E (FM20402MGQPBF)	LRF503415MQ (F503415MQ)	20	16.0	4.0	6	2.3×1P	65.0	65.0	35.0
LDFM025282MGQH0E (FM25282MGQPBF)	LRF503415MQ (F503415MQ)	25	10.0	2.8	5	1.8×2P	65.0	65.0	35.0
LDFM030172MGQH0E (FM30172MGQPBF)	LRF503415MQ (F503415MQ)	30	7.0	1.7	4	2.0×2P	65.0	65.0	35.0

◆ FREQUENCY - IMPEDANCE CHARACTERISTICS

