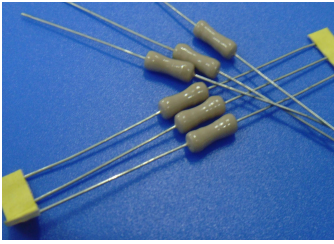


316 Subminiature cartridge Fuse



Main Characteristics

Subminiature cartridge fuse; Time-Lag (T)

Standard

UL248-14

Materials

Tube: Ceramic Tube
End Caps: Nickel plated brass
Axial Leads: Nickel plated caps
Tin plated copper wires
Resin covered body

Operating Temperature

-55°C to +125°C

Storage Conditions

+10°C to +60°C

Relative humidity: ≤75% yearly average
Without dew, maximum 30 days at 95%

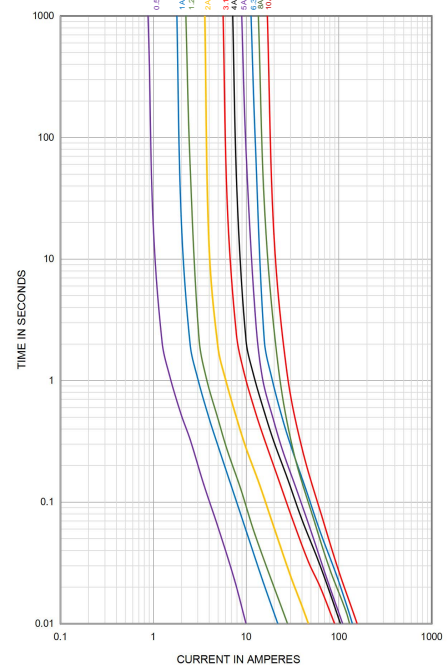
Vibration Resistance

24 cycles at 15 min. each (60068-6)
10-60Hz at 0.75mm amplitude
60-2000Hz at 10g acceleration

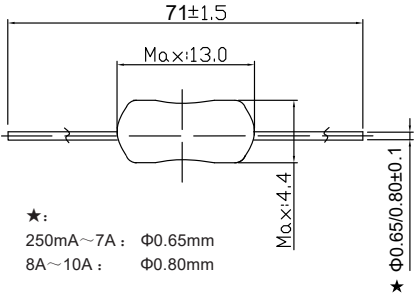
Soldering Parameters

260°C. ≤5 sec (Wave Soldering)
350°C. ≤3 sec (Hand Soldering)
Soldering Peak:
260°C. 10 sec. (IEC 60068-20)

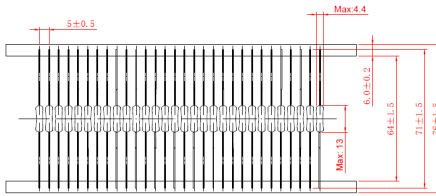
Average Current Curve(I-T Curve)



Dimensions (units: mm)



★:
250mA~7A: Φ0.65mm
8A~10A: Φ0.80mm



Time vs Current Characteristics: UL248-14

Rated current	100%	200%
250mA~10A	>4h	5s~60s



Electrical Characteristics at 25°C						Approvals			
Amp Code	Rated Current	Rated Voltage	Typical cold Resistance (mΩ)	Nominal Melting I ² t(A ² sec)	Breaking Capacity	cURus		TUV	
						250V	350V	250V	350V
0250	250mA	350V AC	600	0.221	100A @ 350V AC 150A @ 250V AC	•	•	○	○
0300	300mA		485	0.281		•	•	○	○
0315	315mA		415	0.302		•	•	○	○
0400	400mA		310	0.490		•	•	○	○
0500	500mA		250	1.00		•	•	•	•
0630	630mA		148	1.082		•	•	•	•
0750	750mA		135	1.85		•	•	○	○
0800	800mA		125	1.56		•	•	•	•
1100	1.00A		115	4.84		•	•	•	•
1125	1.25A		60.0	7.84		•	•	•	•
1150	1.50A		47.52	8.41		•	•	○	○
1160	1.60A		47.66	8.75		•	•	•	•
1200	2.00A		33.0	20.09		•	•	•	•
1250	2.50A		27.95	27.56		•	•	•	•
1300	3.00A		25.00	77.44		•	•	○	○
1315	3.15A		20.30	81.00		•	•	•	•
1400	4.00A		14.7	108		•	•	•	•
1500	5.00A		12.0	121		•	•	•	•
1630	6.30A		8.50	196		•	•	○	○
1800	8.00A		6.13	77		•	•	○	○
2100	10.00A	4.80	121	•	•	○	○		

Note: 1. Permissible continuous operating current is 100% at ambient temperature of 23°C (73.4°F)
2. The current values used for calculating I²t should be within the standard range of 8ms ~ 10ms.

Ordering Information

Series	Amp code	Packaging Code	Qty
316			